



27" Under Counter Freezer

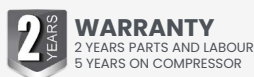
ITEM: 50053
MODEL: FR-CN-0686-HC



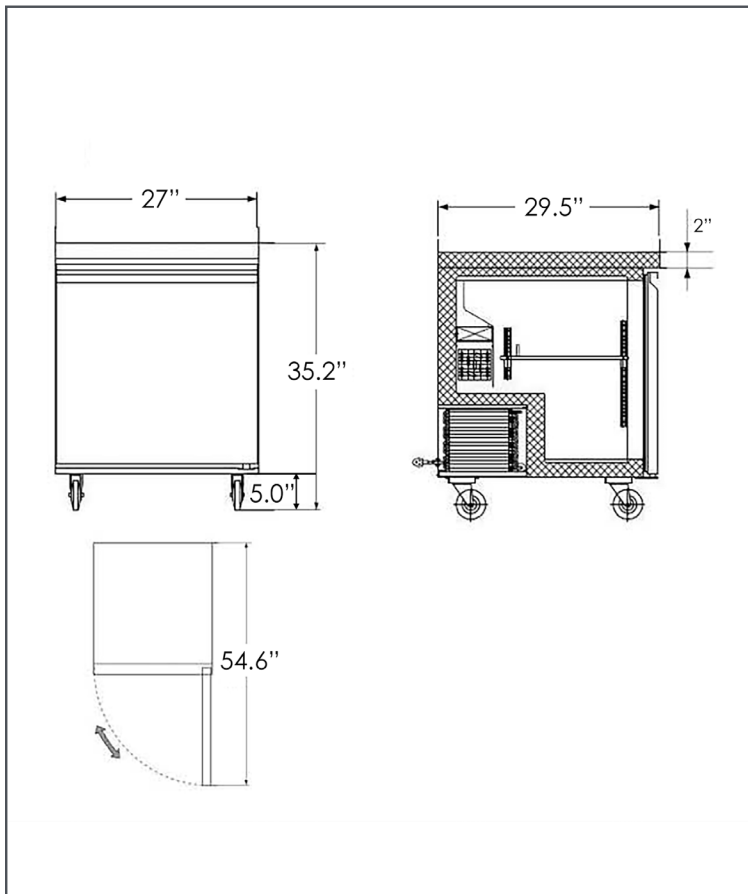
The perfect solution to add cold storage space to frozen products and ingredients conveniently within reach.

FEATURES:

- Stainless steel interior and exterior
- Refrigeration system keeps food at safe temperatures between -8°F and 0°F / -22°C to -18°C
- Self-closing doors with 90 degree stay-open feature
- Adjustable heavy-duty PVC coated shelves
- Digital control system makes it easy to adjust temperature set point and defrost frequency
- This unit uses HYDRO-CARBON R290 refrigerant, which is environmentally friendly and more efficient



TECHNICAL DRAWING



TECHNICAL SPECIFICATION

Item	50053
Model	FR-CN-0686-HC
Description	27-inch Under Counter Freezer
Temperature Range	-8°F - 0°F (-22°C - -18°C)
Power	1/5 HP
Amps	2.1
Electrical	115V / 60Hz / 1Ph
Refrigerant	R290
Isolation Material	Cyclopentane
Cooling System	Ventilated
Defrosting	Automatic
Type Of Controller	Digital
Self-Closing Door	Yes
Number Of Doors	1
Number Of Shelves	1
Shelf Material	Coated steel
Shelf Loading (kg/pc)	20 kg. (44 lbs.)
Interior Dimensions (WDH)	22.2" x 22.8" x 23.5" (565 x 580 x 597 mm)
Net Dimensions (WDH)	27" x 29.5" x 35.2" (685 x 750 x 895 mm)
Gross Dimensions (WDH)	30 3/8" x 32 5/8" x 38 5/8" (770 x 830 x 980 mm)
Net Volume (cu.ft.)	6.3 cu. ft. (177 L)
Net Weight	81 kg. (178 lbs.)
Gross Weight	106 kg. (233 lbs.)

*Dimensions rounded up to the nearest inch or millimeter.
Specifications subject to change without notice.*